

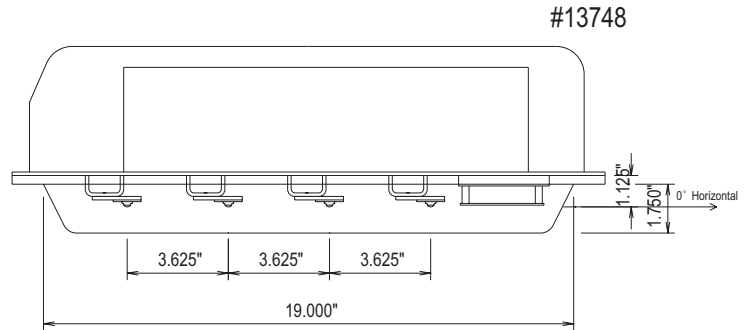


LUMINAIRE TESTING LABORATORY, INC.

SUSTAINING MEMBER of the IESNA

905 Harrison Street · Allentown, PA 18103 · 610-770-1044 · Fax 610-770-8912 · www.LuminaireTesting.com

LTL NUMBER: 13748 DATE: 08-12-2008
PREPARED FOR: APPALACHIAN LIGHTING SYSTEMS, INC.
CATALOG NUMBER:
LUMINAIRE: CAST AND EXTRUDED ALUMINUM HOUSING, CLEAR PLASTIC ENCLOSURE.
LAMP: 32 WHITE LEDS
LED POWER SUPPLY: ONE ABUNDANCE TECHNOLOGIES POWER SUPPLY
ELECTRICAL VALUES: 120.0VAC, 0.7850A, 93.64W
LUMINAIRE EFFICACY: 47.6 LUMENS/WATT
NOTE: THIS TEST WAS PERFORMED USING THE CALIBRATED PHOTODETECTOR METHOD OF ABSOLUTE PHOTOMETRY.*



IES CLASSIFICATION: AREA LIGHT
CUTOFF CLASSIFICATION: CUTOFF**

**CUTOFF DESIGNATION IS NOT DEFINED FOR ABSOLUTE PHOTOMETRIC TESTS. THIS CUTOFF RATING IS BASED ON THE MAXIMUM CANDELA READING PER LUMINAIRE RATED AT 1000 LUMENS.

FLUX DISTRIBUTION

Table with 4 columns: LUMENS, DOWNWARD, UPWARD, TOTALS. Rows include HOUSE SIDE, STREET SIDE, and TOTALS.

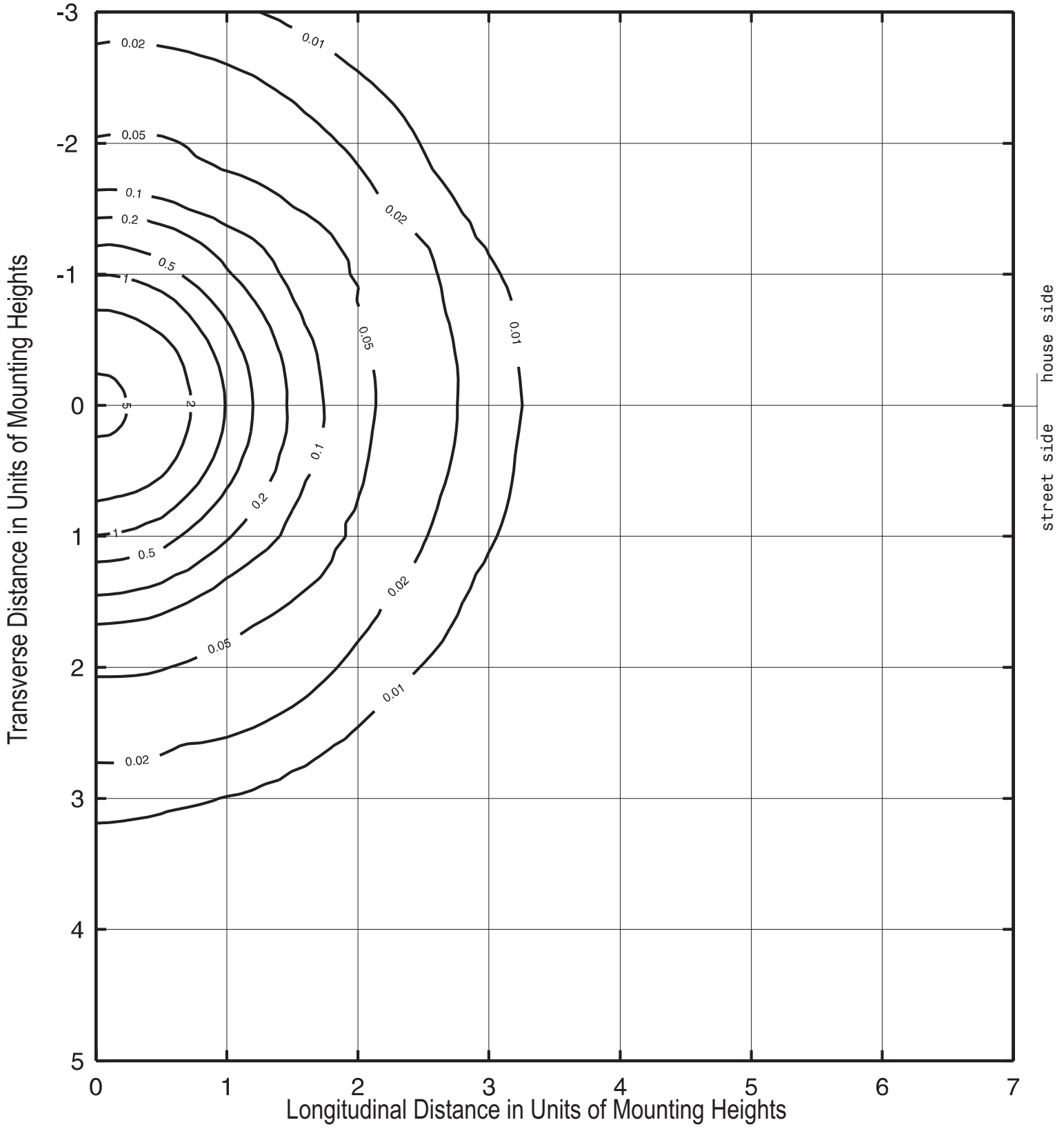
Approved By: MG

*DATA WAS ACQUIRED USING THE CALIBRATED PHOTODETECTOR METHOD OF ABSOLUTE PHOTOMETRY. A UDT MODEL #211 PHOTODETECTOR AND UDT MODEL #S370 OPTOMETER COMBINATION WERE USED AS A STANDARD.

TESTING WAS PERFORMED IN ACCORDANCE WITH IES LM-79-08.
TEST ANGULAR INCREMENTS AND REPORT FORMATTING WAS BASED ON IES LM-31-95.



ISOFOOTCANDLE LINES OF HORIZONTAL ILLUMINATION VALUES BASED ON 20.00 FOOT MOUNTING HEIGHT





CANDELA DISTRIBUTION

Table with 12 columns (0-90) and 20 rows (180-0) showing Candela Distribution values.

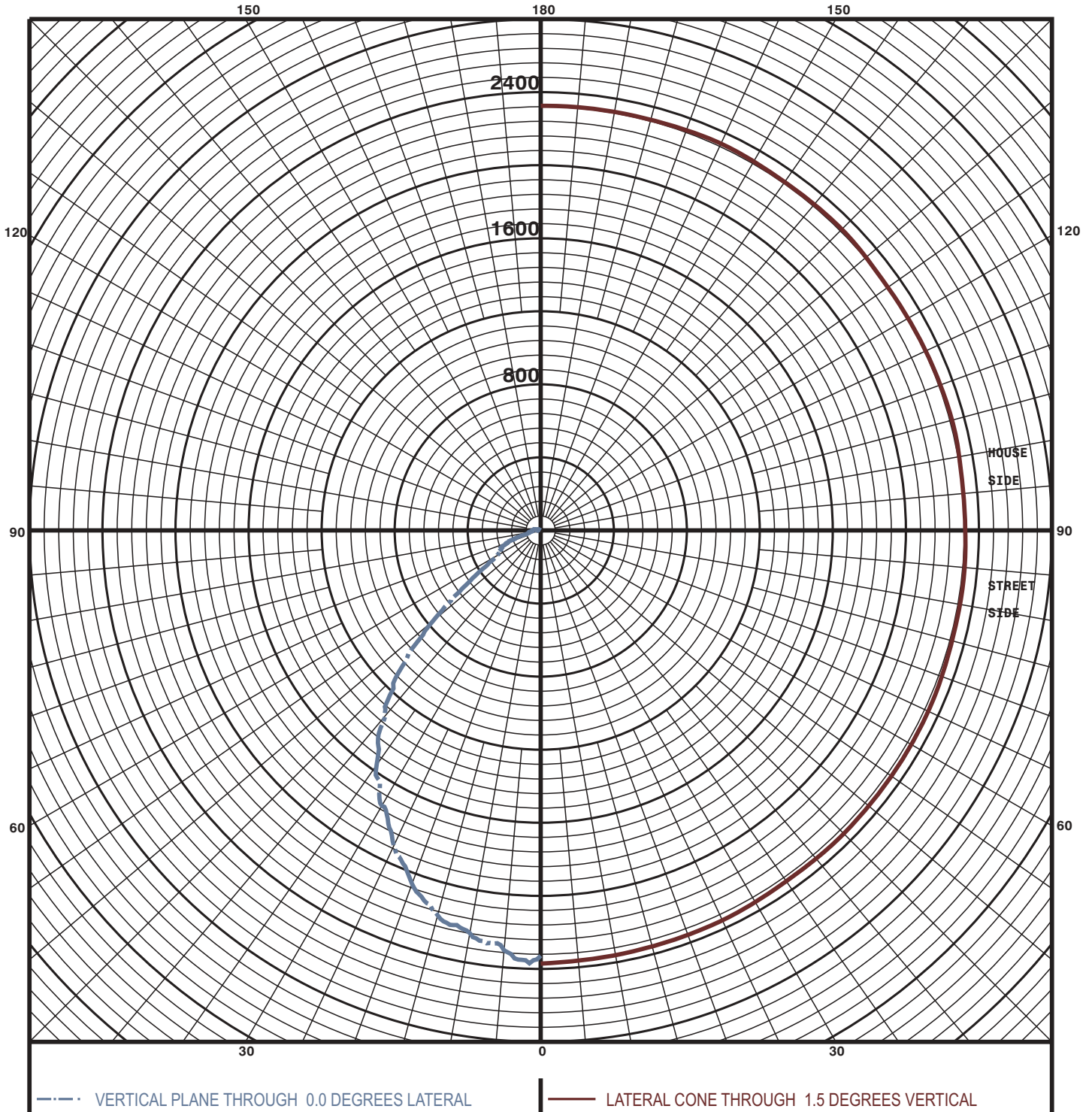


CANDELA DISTRIBUTION

Table with 11 columns (95, 105, 115, 125, 135, 145, 155, 165, 175, 180) and 11 rows (180, 175, 165, 155, 145, 135, 125, 115, 105, 95, 90, 87.5, 85, 82.5, 80, 77.5, 75, 72.5, 70, 67.5, 65, 62.5, 60, 57.5, 55, 52.5, 50, 47.5, 45, 40, 35, 30, 25, 20, 15, 10, 5, 1.5, 0). Values represent candela measurements for various beam angles.

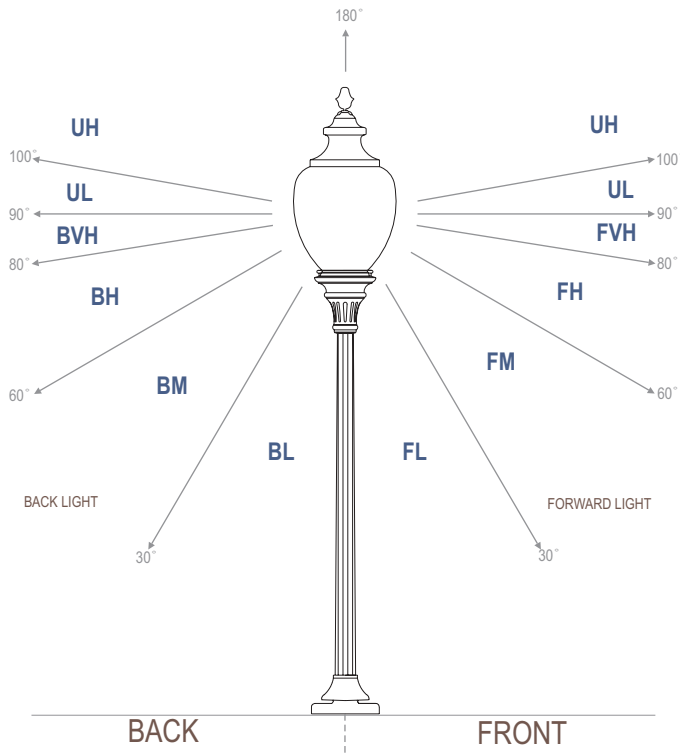


MAXIMUM PLANE AND CONE PLOTS OF CANDELA





FLUX DISTRIBUTION TABLE BASED ON THE IESNA LUMINAIRE CLASSIFICATION SYSTEM
FLUX



ZONE	LUMINAIRE LUMENS	% OF LUMINAIRE LUMENS
FORWARD LIGHT	2181	48.9
FL (0° -30°)	852	19.1
FM (30° -60°)	1105	24.8
FH (60° -80°)	184	4.1
FVH (80° -90°)	41	0.9

BACK LIGHT	2224	49.9
BL (0° -30°)	849	19.1
BM (30° -60°)	1123	25.2
BH (60° -80°)	194	4.4
BVH (80° -90°)	57	1.3

UPLIGHT	51	1.2
UL (90° -100°)	29	0.6
UH (100° -180°)	22	0.5

TRAPPED LIGHT	NA	NA
---------------	----	----

